

Product information presented here reflects conditions at time of publication. Consult factory regarding discrepancies or inconsistencies.



**MAIL TO:** P.O. BOX 16347 • Louisville, KY 40256-0347  
**SHIP TO:** 3649 Cane Run Road • Louisville, KY 40211-1961  
**TEL:** (502) 778-2731 • 1 (800) 928-PUMP • **FAX:** (502) 774-3624

**Visit our web site:**  
**zoellerpumps.com**

## REPLACEMENT PARTS LIST FOR MODELS:

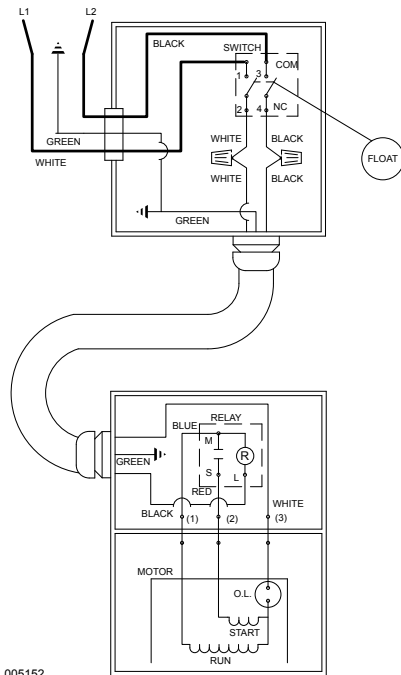
**M3137AUTOMATIC 115V**  
**N3137 NONAUTOMATIC 115V**  
**D3137 AUTOMATIC 230V**  
**E3137 NONAUTOMATIC 230V**

Consult factory for all other models

### TO ORDER REPLACEMENT PARTS:

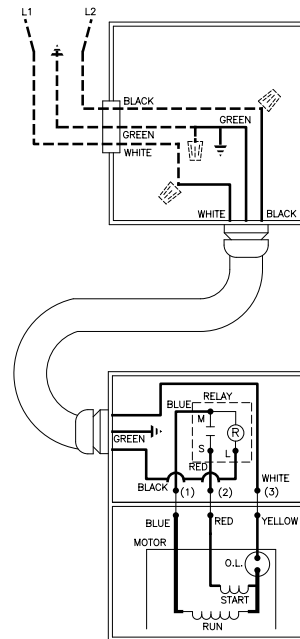
#### PLEASE FURNISH THE FOLLOWING INFORMATION:

- Model Number.
- Part Number of Pump.  
 (If manufactured prior to June 1988, give 2 letter date code following Model No.)
- Part Number and Description of part.



005152

WIRING DIAGRAM FOR MODELS  
 "M3137" All Revisions and "D3137" All Revisions  
 10/87 (WT) to Current



005236

WIRING DIAGRAM FOR MODELS  
 "N3137" All Revisions and "E3137" All Revisions  
 10/87 (WT) thru Current

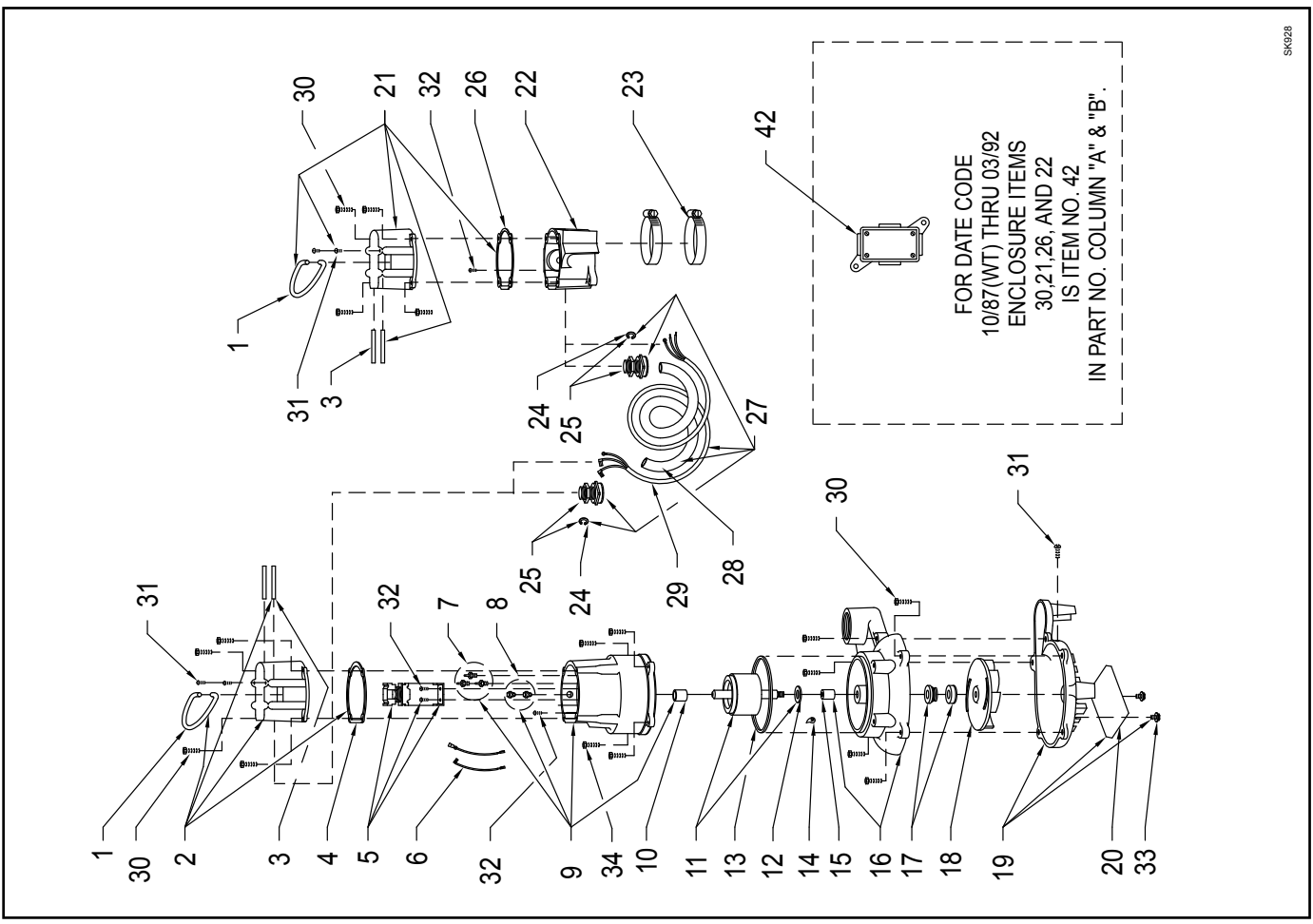
**REPLACEMENT PARTS LIST FOR MODELS "M3137" & "D3137"**

See back page for illustrations.

REF. NO.	DESCRIPTION	QTY	NOTES	MODELS: M3137-A					MODELS: M3137-B					MODELS: M3137-C					MODELS: M3137-D					MODELS: M3137-E					D3137-A					D3137-B					D3137-C					D3137-D				
				10/87 thru 2/90	3/90 thru 3/92	4/92 thru 9/94	10/94 thru 9/01	10/01 thru Current	10/87 thru 2/90	3/90 thru 3/92	4/92 thru 9/94	10/94 thru 9/01	10/01 thru Current	10/87 thru 2/90	3/90 thru 3/92	4/92 thru 9/94	10/94 thru 9/01	10/01 thru Current	10/87 thru 2/90	3/90 thru 3/92	4/92 thru 9/94	10/94 thru 9/01	10/01 thru Current	10/87 thru 2/90	3/90 thru 3/92	4/92 thru 9/94	10/94 thru 9/01	10/01 thru Current	10/87 thru 2/90	3/90 thru 3/92	4/92 thru 9/94	10/94 thru 9/01	10/01 thru Current	10/87 thru 2/90	3/90 thru 3/92	4/92 thru 9/94	10/94 thru 9/01	10/01 thru Current										
1	• Handle	1		267032	267032	267032	267032	267032		267032	267032	267032	267032	267032		267032	267032	267032	267032	267032		267032	267032	267032	267032	267032		267032	267032	267032	267032	267032		267032	267032	267032	267032	267032										
2	Cover & Handle	1		005363	005363	005363	009606	009606		005363	005363	005363	009606	009606		005363	005363	005363	009606	009606		005363	005363	005363	009606	009606		005363	005363	005363	009606	009606		005363	005363	005363	009606	009606										
3	Retainer, Handle	1		267053	267053	267053	267053	267053		267053	267053	267053	267053	267053		267053	267053	267053	267053	267053		267053	267053	267053	267053	267053		267053	267053	267053	267053	267053		267053	267053	267053	267053	267053										
4	• Gasket, Case or Cover	1		267007	267007	267007	267007	014555		267007	267007	267007	267007	014555		267007	267007	267007	267007	014555		267007	267007	267007	267007	014555		267007	267007	267007	267007	014555		267007	267007	267007	267007	014555										
5	Relay Asm	1		002474	002474	002474	002474	002474		002474	002474	002474	002474	002474		147135	147135	147135	147135	147135		147135	147135	147135	147135	147135		147135	147135	147135	147135	147135		147135	147135	147135	147135	147135										
6	• Wire Pkg. (BL & R)	1		267014	267014	267014	267014	267014		267014	267014	267014	267014	267014		267014	267014	267014	267014	267014		267014	267014	267014	267014	267014		267014	267014	267014	267014	267014		267014	267014	267014	267014	267014										
7	• Seal, Thru Wall Term	3		003402	003402	003402	003402	003402		003402	003402	003402	003402	003402		003402	003402	003402	003402	003402		003402	003402	003402	003402	003402		003402	003402	003402	003402	003402		003402	003402	003402	003402	003402										
8	• Plug	3		034051	034051	034051	034051	034051		034051	034051	034051	034051	034051		034051	034051	034051	034051	034051		034051	034051	034051	034051	034051		034051	034051	034051	034051	034051		034051	034051	034051	034051	034051										
9	Mtr. Hsg, Brg, Stator & Term-GE	1	3,4	005356	005356	005356	005356	005356		005356	005356	005356	005356	005356		005357	005357	005357	005357	005357		005357	005357	005357	005357	005357		005357	005357	005357	005357	005357		005357	005357	005357	005357	005357										
	Mtr. Hsg, Brg, Stator & Term-Emerson	1	3,4	005356	005356	006141	006141	006141		005357	006142	006142	006142	006142		005357	006142	006142	006142	006142		005357	006142	006142	006142	006142		005357	006142	006142	006142	006142		005357	006142	006142	006142	006142										
10	Bearing, Upper Rotor	1		034052	034052	034052	N/A	N/A		034052	034052	034052	N/A	N/A		034052	034052	034052	N/A	N/A		034052	034052	034052	N/A	N/A		034052	034052	034052	N/A	N/A		034052	034052	034052	N/A	N/A										
11	Rotor (115V/230V)-GE	1		267005	267005	267005	267005	267005		267005	267005	267005	267005	267005		267005	267005	267005	267005	267005		267005	267005	267005	267005	267005		267005	267005	267005	267005	267005		267005	267005	267005	267005	267005										
	Rotor (115V/230V)-Emerson	1		267005	267005	004021	004021	004021		267005	004021	004021	004021	004021		267005	004021	004021	004021	004021		267005	004021	004021	004021	004021		267005	004021	004021	004021	004021		267005	004021	004021	004021	004021										
12	• Washer, Thrust	1		002140	002140	002140	002140	002140		002140	002140	002140	002140	002140		002140	002140	002140	002140	002140		002140	002140	002140	002140	002140		002140	002140	002140	002140	002140		002140	002140	002140	002140	002140										
13	• Seal, Mtr Hsg.	1		267006	267006	267006	267006	014256		267006	267006	267006	267006	014256		267006	267006	267006	267006	014256		267006	267006	267006	267006	014256		267006	267006	267006	267006	014256		267006	267006	267006	267006	014256										
14	• Oil, Dielectric	1	7	267056	006064	006064	006064	006064		267056	006064	006064	006064	006064		267056	006064	006064	006064	006064		267056	006064	006064	006064	006064		267056	006064	006064	006064	006064		267056	006064	006064	006064	006064										
15	Bearing, Lower	1		054024	054024	N/A	N/A	N/A		054024	054024	N/A	N/A	N/A		054024	054024	N/A	N/A	N/A		054024	054024	N/A	N/A	N/A		054024	054024	N/A	N/A	N/A		054024	054024	N/A	N/A	N/A										
16	Pump Housing	1		137004	137004	137004	137004	137004		137004	137004	137004	137004	137004		137004	137004	137004	137004	137004		137004	137004	137004	137004	137004		137004	137004	137004	137004	137004		137004	137004	137004	137004	137004										
17	• Seal, Shaft	1		005095	005095	005095	005095	014554		005095	005095	005095	005095	014554		005095	005095	005095	005095	014554		005095	005095	005095	005095	014554		005095	005095	005095	005095	014554		005095	005095	005095	005095	014554										
18	Impeller	1		137006	137006	137006	137006	137006		137006	137006	137006	137006	137006		137006	137006	137006	137006	137006		137006	137006	137006	137006	137006		137006	137006	137006	137006	137006		137006	137006	137006	137006	137006										
19	Base & Plate Asm	1		137020	137020	137020	137020	137020		137020	137020	137020	137020	137020		137020	137020	137020	137020	137020		137020	137020	137020	137020	137020		137020	137020	137020	137020	137020		137020	137020	137020	137020	137020										
20	Strainer Plate	1		137008	137008	137008	137008	137008		137008	137008	137008	137008	137008		137008	137008	137008	137008	137008		137008	137008	137008	137008	137008		137008	137008	137008	137008	137008		137008	137008	137008	137008	137008										
21	Case Handle & Arm	1		004714	004714	007088	007088	007088		004714	004714	007088	007088	007088		004714	004714	007088	007088	007088		004714	004714	007088	007088	007088		004714	004714	007088	007088	007088		004714	004714	007088	007088	007088										
22	Guard	1		004645	004645	267008	267008	267008		004645	004645	267008	267008	267008		004645	004645	267008	267008	267008		004645	004645	267008	267008	267008		004645	004645	267008	267008	267008		004645	004645	267008	267008	267008										
23	• Arm & Seal	1		004704	004704	004704	004704	004704		004704	004704	004704	004704	004704		004741	004741	004741	004741	004741		004741	004741	004741	004741	004741		004741	004741	004741	004741	004741		004741	004741	004741	004741	004741										
24	Case & Switch	1		005349	005349	007802	007802	007802		005349	005349	007802	007802	007802		007802	007802	007802	007802	007802		007802	007802	007802	007802	007802		007802	007802	007802	007802	007802		007802	007802	007802	007802	007802										
25	Switch Asm	1		005350	005350	005350	005350	005350		005350	005350	005350	005350	005350		005350	005350	005350	005350	005350		005350	005350	005350	005350	005350		005350	005350	005350	005350	005350		005350	005350	005350	005350	005350										
26	Housing, Switch Case	1		004907	004907	006836	009453	009453		004907	004907	006836	009453	009453		006836	006836	009453	009453	009453		006836	006836	009453	009453	009453		006836	006836	009453	009453	009453		006836	006836	009453	009453	009453										
27	Float	1		034019	034019	034019	034019	034019		034019	034019	034019	034019	034019		034019	034019	034019	034019	034019		034019	034019	034019	034019	034019		034019	034019	034019	034019	034019		034019	034019	034019	034019	034019										
28	Float Rod Asm	1		005352	005352	005352	005352	005352		005352	005352	005352	005352	005352		005352	005352	005352	005352	005352		005352	005352	005352	005352	005352		005352	005352	005352	005352	005352		005352	005352	005352	005352	005352										
29	Float-Mach	1		004912	004912	004912	004912	004912		004912	004912	004912	004912	004912																																		

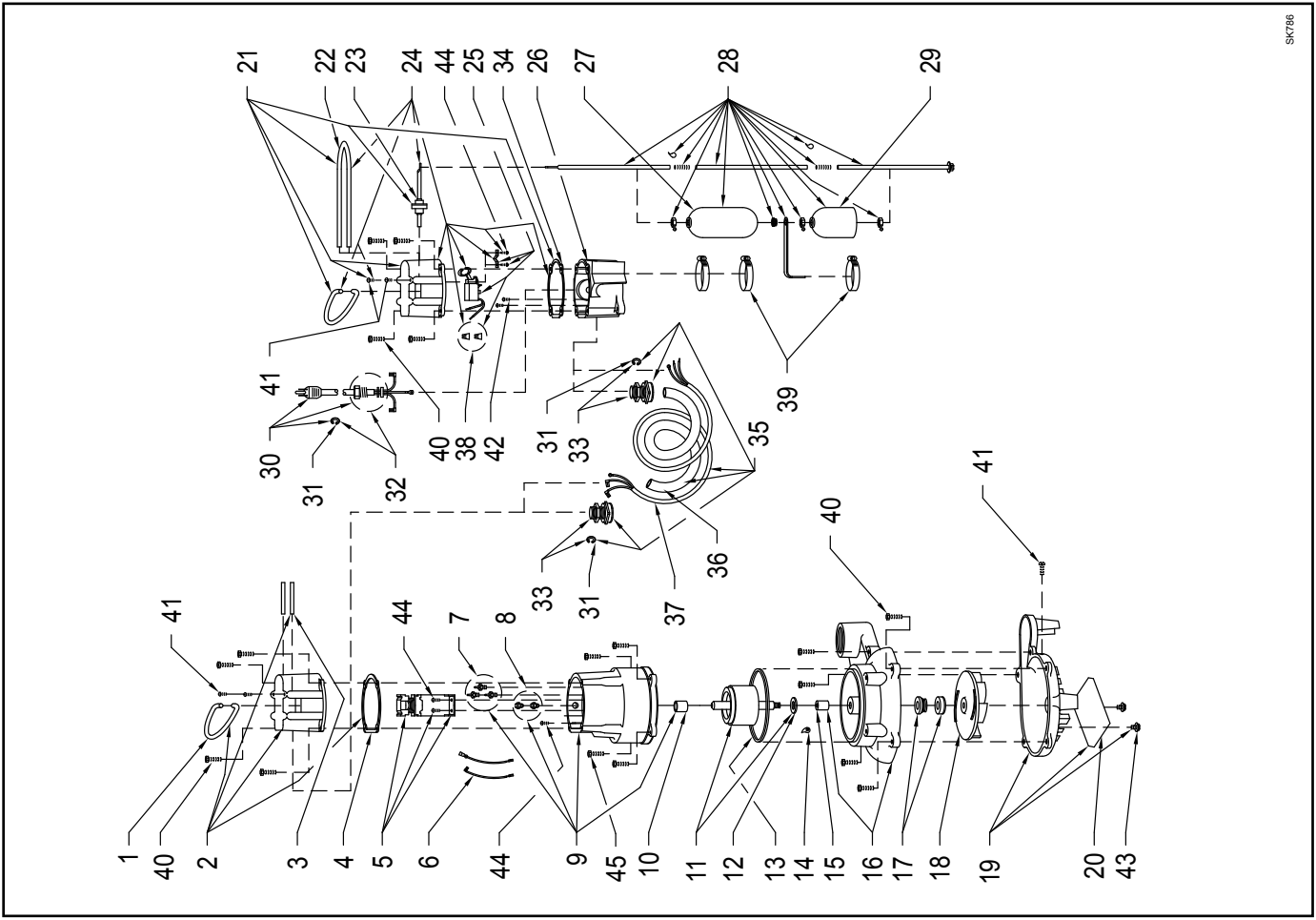


REPLACEMENT PARTS ILLUSTRATION FOR MODELS "M3137" and "D3137" and "N3137" and "E3137"



SK028

REPLACEMENT PARTS ILLUSTRATION FOR MODELS "M3137" and "D3137" and "N3137" and "E3137"



SK786